

EN3000 系列 智能隔爆气体分析仪

EN3000 Series ATEX Process Gas Analyzer

EN3000-RQD

Explosion-proof Gas Analyzer (TCD)



Overview

The EN3000-RQD Explosion-proof Gas Analyzer is an analytical instrument developed for online industrial use in hazardous areas. It utilizes gas thermal conductivity, a physical property which measures specific component in mixed gases through difference in thermal conductivity of various gases. The analyzer has such function as isolated current output, relay alarm output, communication interface and measured data storage. It continuously measures, displays, and records the H₂, Ar, CO₂ volume concentration in the sample gas.

Features

- ◆ Used in explosive atmosphere in zones 1 & 2, Class Exd II CT6
- ◆ With excellent reliability, high-sensitivity, low drift
- ◆ Highly corrosion resistant TCD detector with glass and quartz
- ◆ No requirement for a reference gas during operation
- ◆ Big LCD display, English or Chinese menu to operate
- ◆ Automatic recording of measured data and curve, for checking previous data
- ◆ One isolated, linearized 0~10 or 4~20mADC output
- ◆ One alarm relay, any alarm value can be set up within the full range
- ◆ With RS232 interface for measured data communication

Specification

Measured component: H₂, Ar, CO₂

Maximum range: 0~100% (Arbitrary range option between 0~100%)

Minimum range: 0~1%

Linearity error: $\leq \pm 2\%$ FS

Resolution: 0.01%

Outline dimension: 380mm * 460mm * 225mm (H x W x L)

Requirements for sample gas

Temperature: 5~40°C

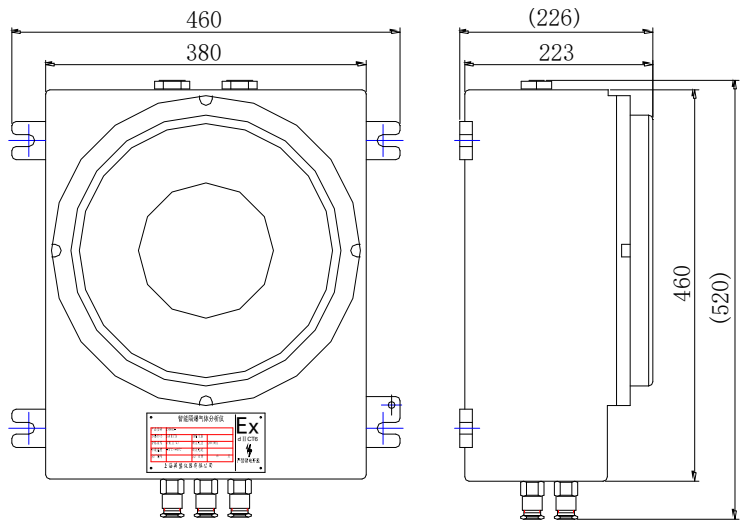
Pressure: 0.03~0.2MPa

Dust : 0.3 μ m or less (Recommended membrane filter)

Moisture: Below a level where saturation occurs at 2°C (condensation unallowable)



Dimensions



Analyzer weight: 35kg
Sample gas interface: 1 / 4NPTF
Cable interface: M20 × 1.5
Bolts: 4-M12

Installation Dimensions

