

# EN3000 系列 智能隔爆气体分析仪

EN3000 Series ATEX Process Gas Analyzer

## EN3000-DP

Explosion-proof Gas Analyzer (Dewpoint)



### Overview

The EN3000-DP Explosion-proof Gas Analyzer is an analytical instrument developed for online industrial use in hazardous areas. It utilizes capacitive dewpoint sensor, which measures dewpoint in gases such as **N<sub>2</sub>/Ar/H<sub>2</sub> and other high purity** gases. The analyzer has such function as isolated current output, relay alarm output, communication interface and measured data storage. It continuously measures, displays, and records the dewpoint or absolute humidity in ppm level.

### Features

- ◆ Used in explosive atmosphere in zones 1 & 2, Class Exd II CT6
- ◆ Long-life, maintenance-free, capacitive dew point sensor
- ◆ Auto-calibration procedure for low dewpoint measurement
- ◆ With dewpoint value °C or ppm for display unit
- ◆ Big LCD display, English or Chinese menu to operate
- ◆ Automatic recording of measured data and curve, for checking previous data
- ◆ One isolated, linearized 0~10 or 4~20mADC output
- ◆ One alarm relay, any alarm value can be set up within the full range
- ◆ With RS232 interface for measured data communication

### Specification

Measuring principle: Capacitive dew point sensor

Measured component: dew point (°C) or absolute humidity (ppm)

Measuring range: -100.0°C~+20.0°C dp

Accuracy: ±2°Cdp

Resolution: 0.1 °C

Outline dimension: 380 x 460 x 225mm (H x W x L)

### Requirements for sample gas

Temperature: 5~40°C

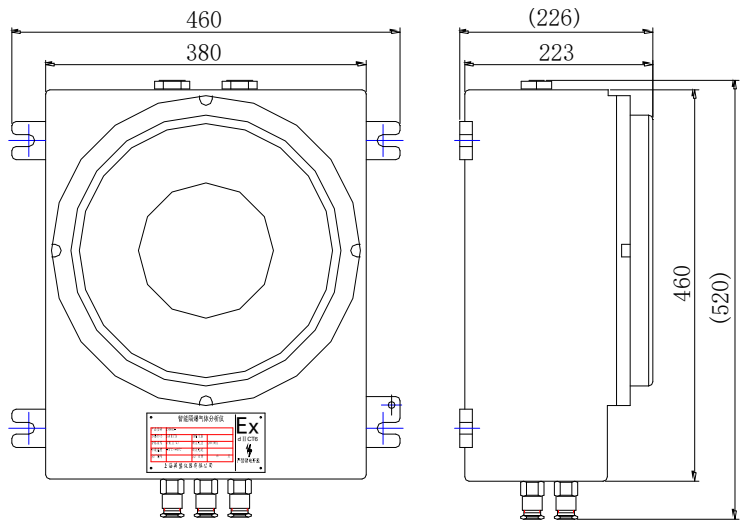
Pressure: 0.03~0.2MPa

Dust : 0.3µm or less (Recommended membrane filter)

Moisture: Condensation unallowable



Dimensions



Analyzer weight: 35kg  
Sample gas interface: 1 / 4NPTF  
Cable interface: M20 × 1.5  
Bolts: 4-M12

Installation Dimensions

